

## 5093# 伺服線性滾珠滑座 Servo Slide with Linear Guideway and Ball Screws

單位：mm

Model	上蓋尺寸	下蓋尺寸	Stroke	Ball screw	Linear	Max-load	Weight
RHE120-320L	120x200	120x320	100	φ 16x5xC7	15	80Kg	
RHE150-320L	150x200	150x320	100	φ 16x5xC7	15	120Kg	
RHE200-420L	200x300	200x420	100	φ 20x5xC7	20	150Kg	
RHE200-520L	200x300	200x520	200	φ 20x5xC7	20	150Kg	
RHE250-420L	250x300	250x420	100	φ 25x5xC7	25	250Kg	
RHE250-520L	250x300	250x520	200	φ 25x5xC7	25	250Kg	
RHE300-420L	300x300	300x420	100	φ 25x5xC7	25	350Kg	
RHE300-520L	300x300	300x520	200	φ 25x5xC7	25	350Kg	

※可選配C5或C3等級螺桿

※Ball screw grade C5 and C3 is available upon request.

※重量不含伺服馬達

標準配備：

1.馬達座

2.聯軸器

可選配備：

1.前後伸縮護蓋

2.注油式分配器

Standard Accessories:

1.Servo Motor Stand

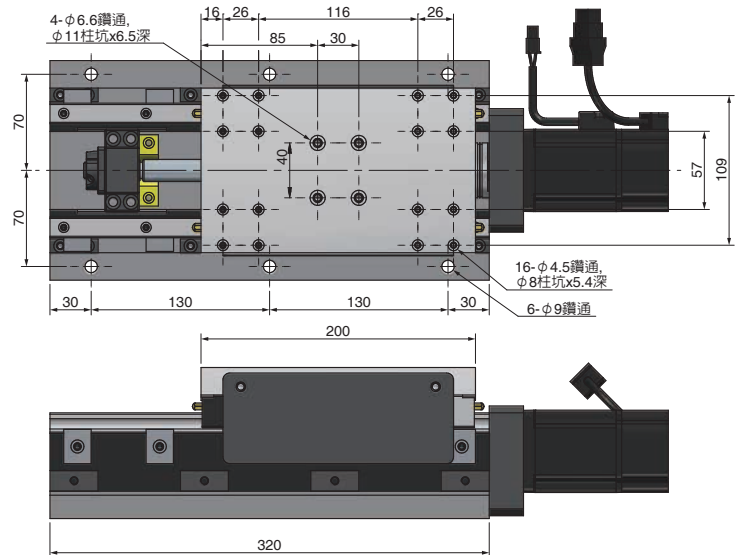
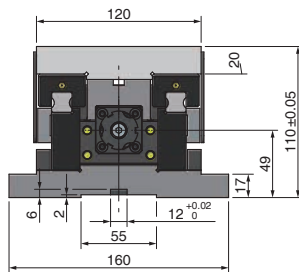
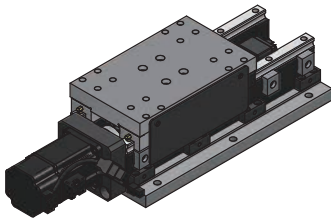
2.Coupling

Optional:

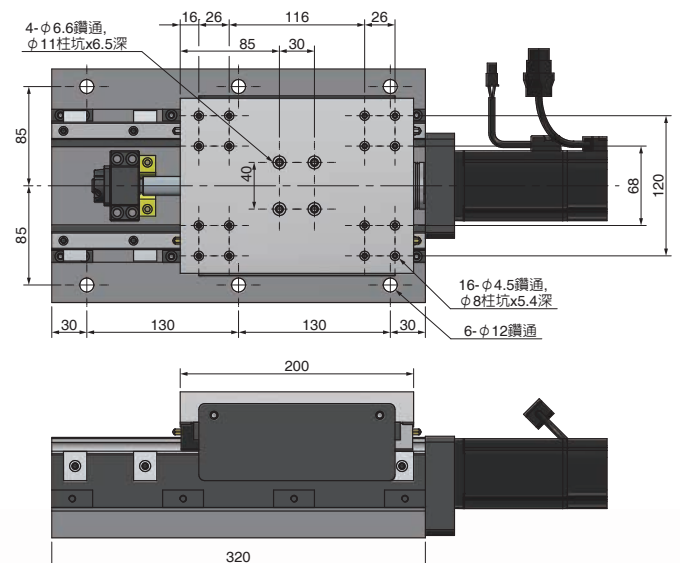
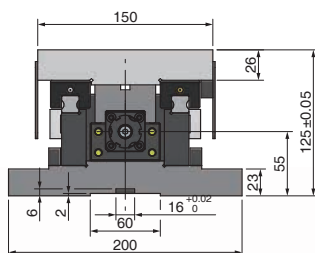
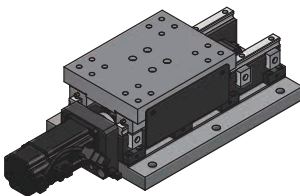
1.Telescopic Covers

2.Distributor

RHE120-320L

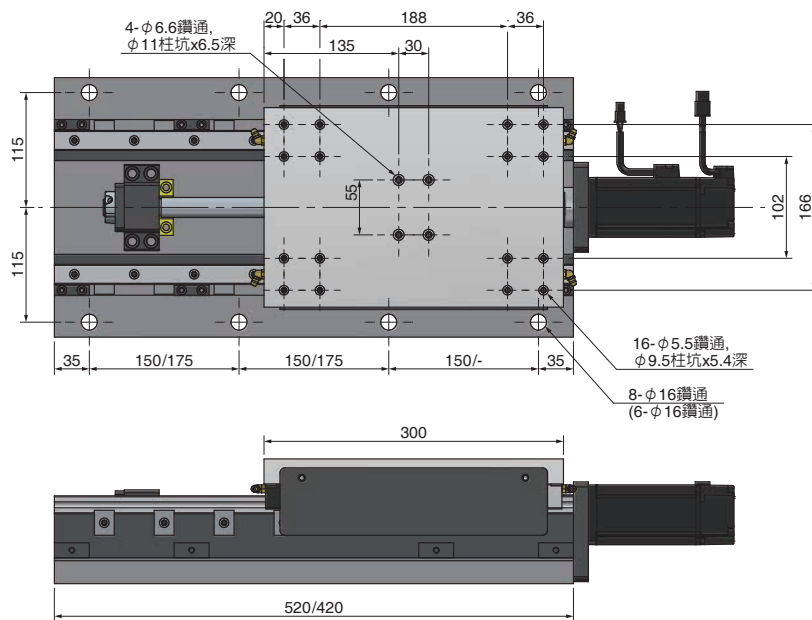
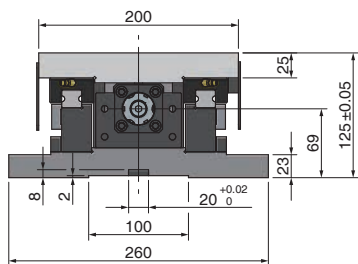
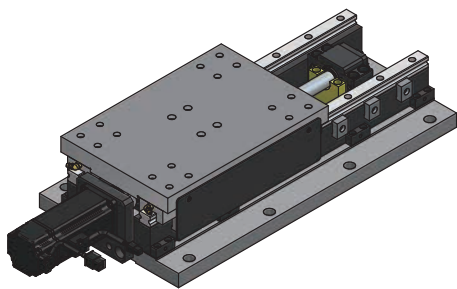


RHE150-320L

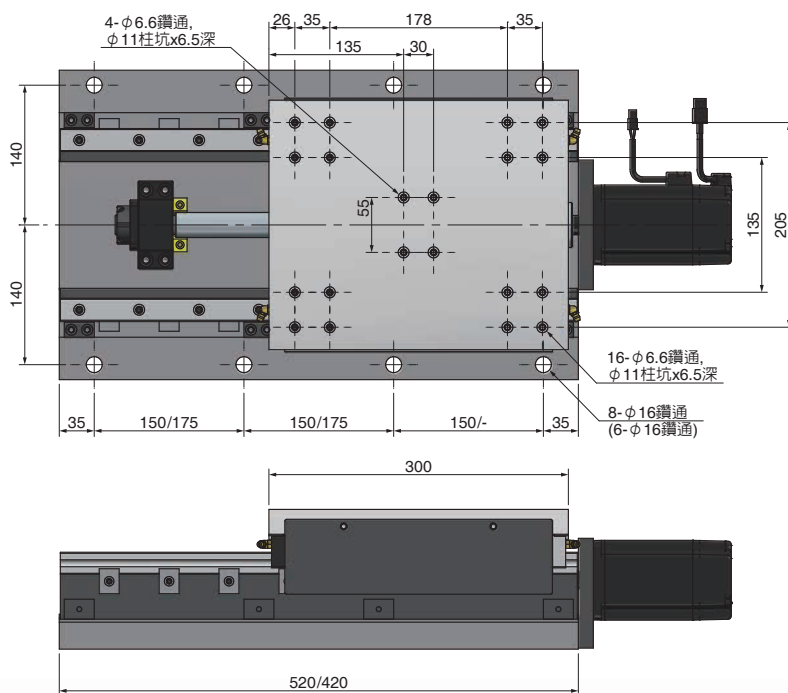
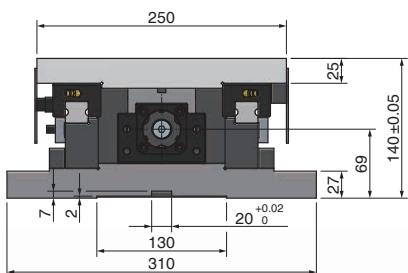
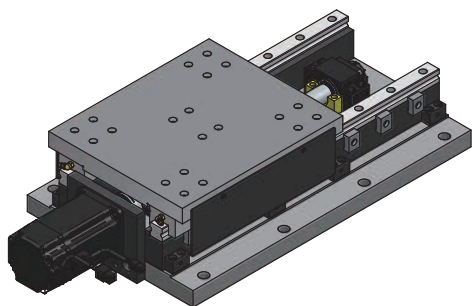


# 5093# 伺服线性滚珠滑座 Servo Slide with Linear Guideway and Ball Screws

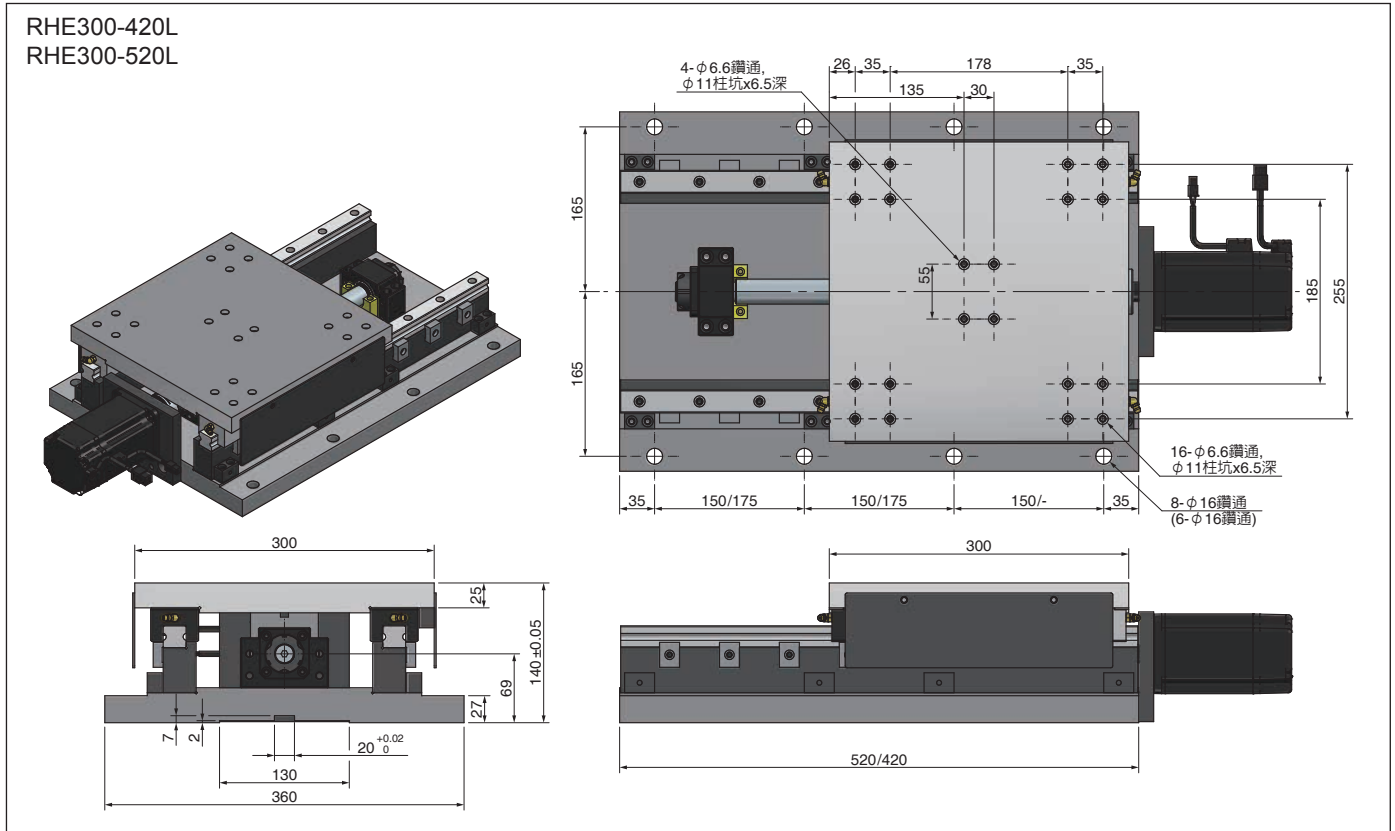
RHE200-420L  
RHE200-520L



RHE250-420L  
RHE250-520L



## 5093# 伺服線性滾珠滑座 Servo Slide with Linear Guideway and Ball Screws



可接受特殊規格動力頭訂製  
We accept Special Spindle Unit Order

